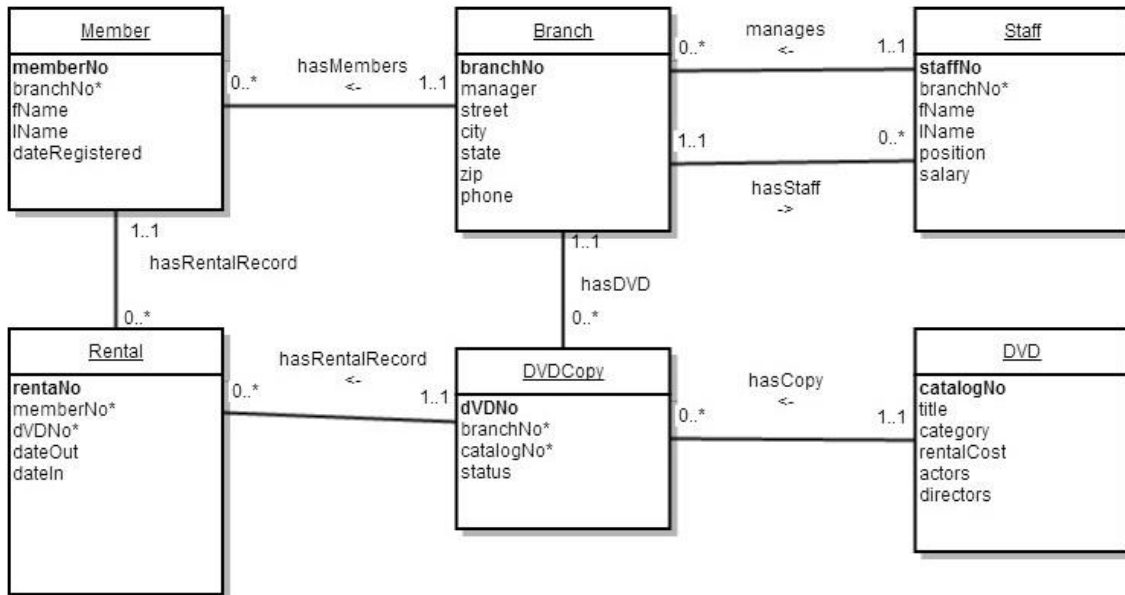


**Database Design, CSCI 340, Spring 2016
Views, Feb. 26**

Recall the DVD Rental DB created in the previous lab. Here is a schema for it:



Using SQL Server:

1. Create a StaffDirectory view

```

StaffDirectory
    staffNo
    fName
    lName
    position
    
```

2. Add a single field to the StaffDirectory view which contains the first and last name of the staff member's manager.

3. Create a view for a front desk employee of the Butte branch at 17 West Park Street (B2999) to check in movies.

```
ParkStreetRentals
    rentalNo
    memberfName
    memberlName
    dvdTitle
    dvdOut
    dvdIn
```

4. List the fields are updatable from this view. (Discover this by attempting to do UPDATE statements on the view.)
5. What views would you expect a branch manager to find useful for daily operations? Assume that the branch manager needs to work with staff, branch members and inventory, but not with rentals.
6. Define one or more of these views.