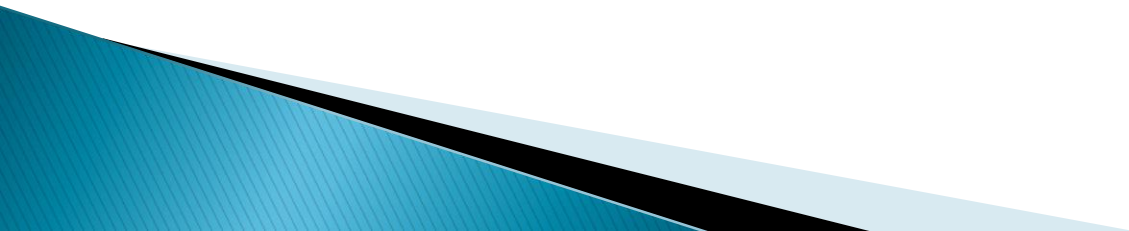


# UNION, INTERSECT, EXCEPT, Chapter 6



# SQL – Syntax

```
SELECT [DISTINCT | ALL]
        {* | colExpression [AS newName]] [,...]}
FROM TableName [alias][,...]
[WHERE condition]
[GROUP BY columnList] [HAVING condition]
[ORDER BY columnList];
```

UNION, INTERSECT and EXCEPT can be used to connect two queries as above when the queries are “union-compatible”

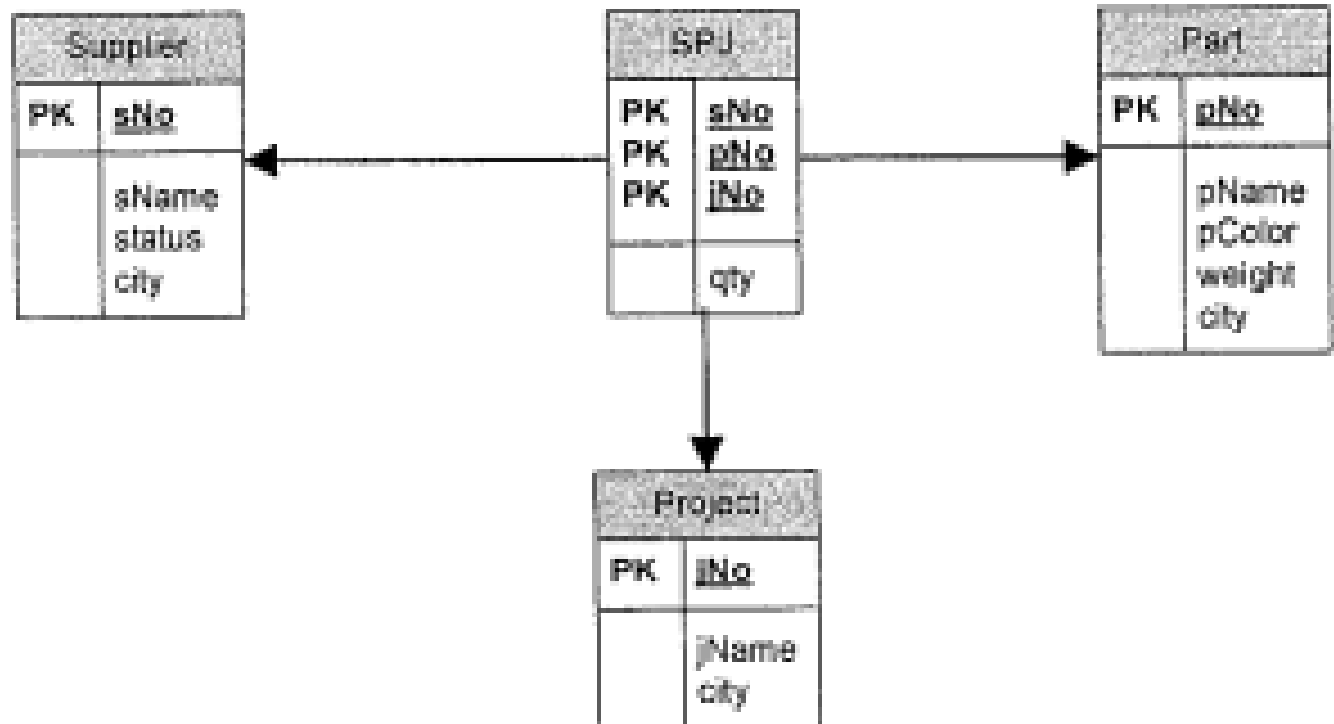
# Union-Compatible

Two tables, or the result of two queries, are union-compatible if they have the same structure.

- ▶ Same number of columns
- ▶ Corresponding columns have the same data types

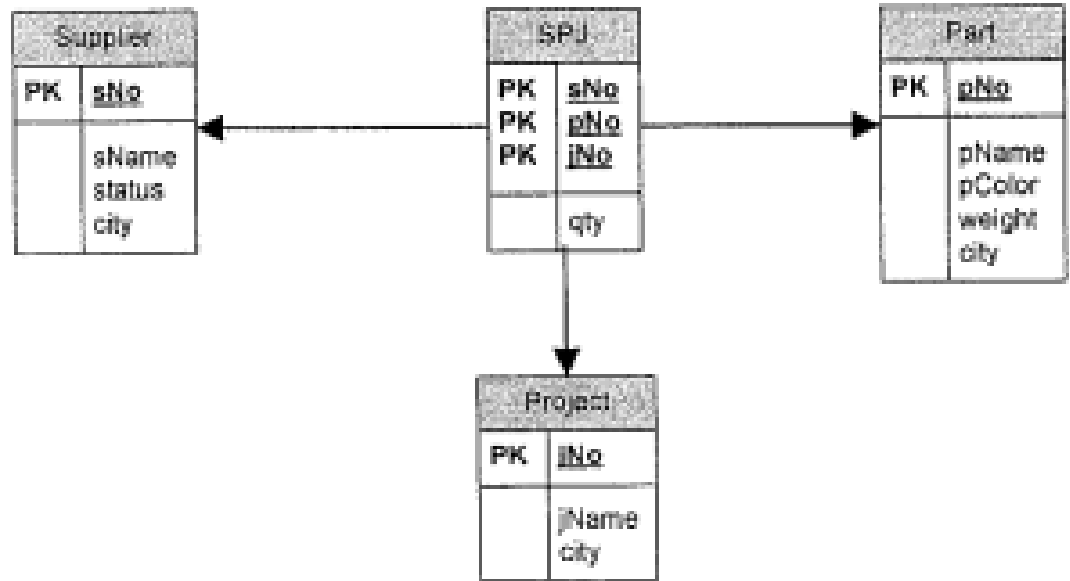
# SPJ (Suppliers / Parts / Projects) Database

Suppliers-Parts-Project  
Database

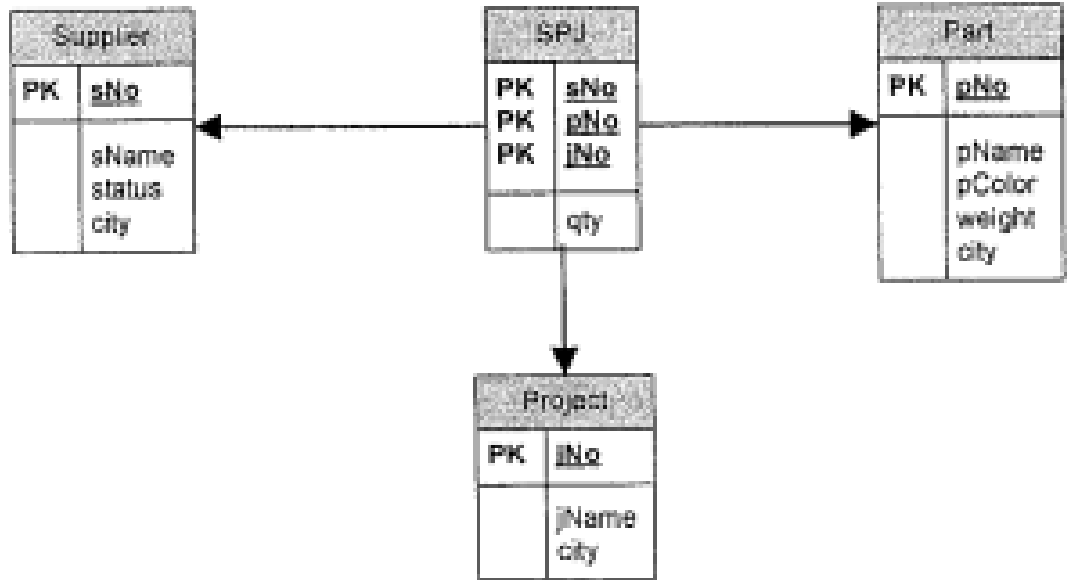


# Example

Write a query to list all cities in which part manufacturers and suppliers are located



# Example



Write a query to list all cities in which part suppliers are located:

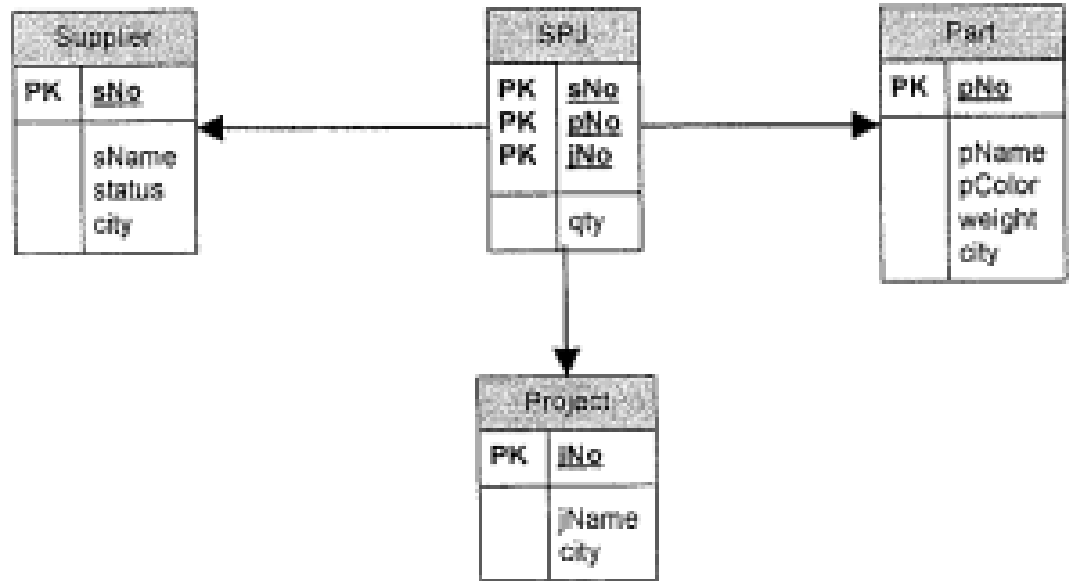
```
SELECT city  
FROM P
```

```
INTERSECT
```

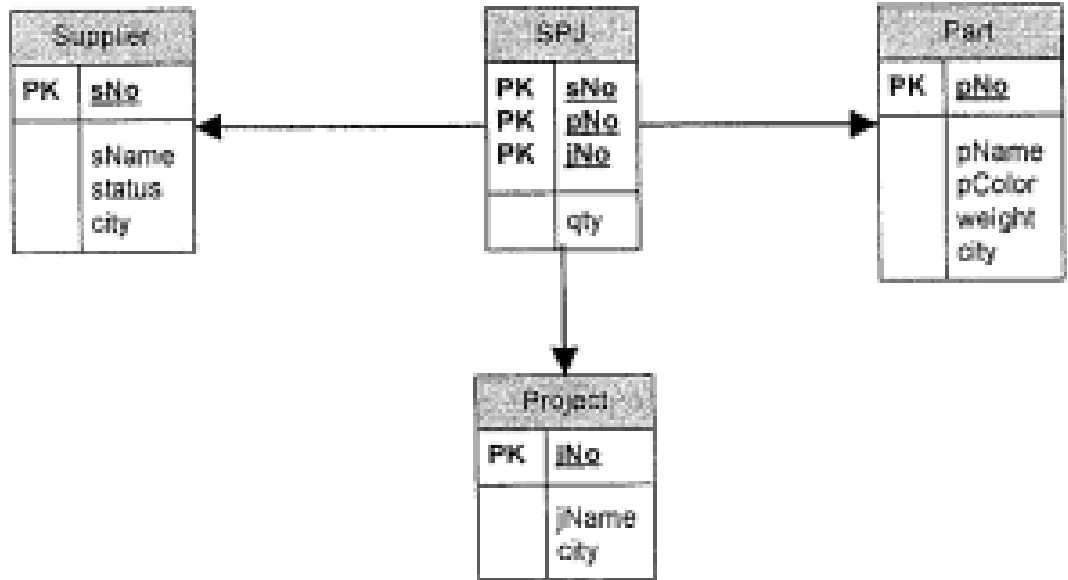
```
SELECT city  
FROM S
```

# Example

Write a query to list all cities in which part manufacturers are located, but no supplier is located.



# Example



Write a query to list all cities in which part manufacturers are located, but no supplier is located.

```
SELECT city  
FROM P
```

```
EXCEPT
```

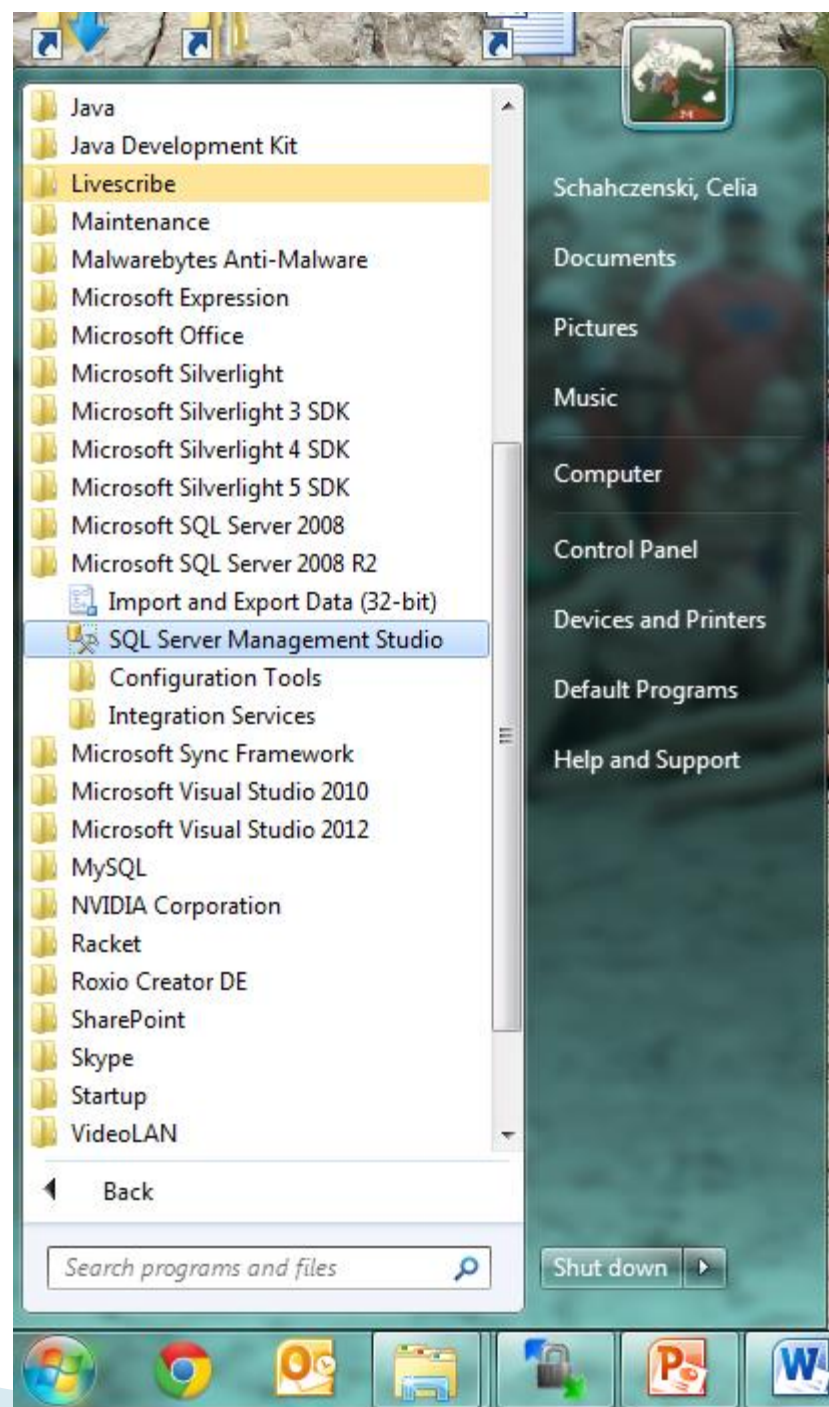
```
SELECT city  
FROM S
```



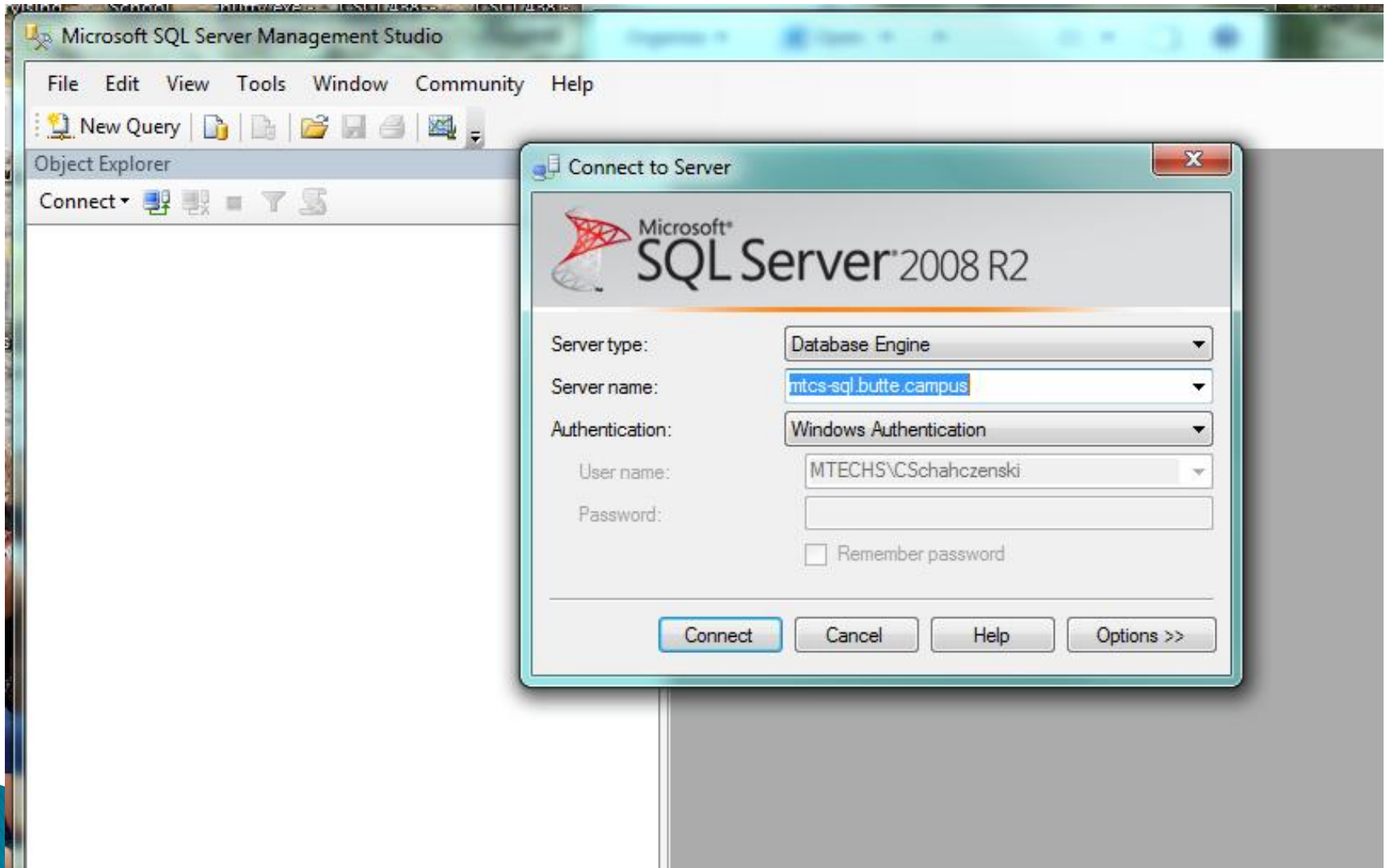
# SQL Server (Microsoft)

- ▶ Account has been set up
- ▶ Windows authentication is used

# Connecting to SQL Server



# Connecting to SQL Server



# Connecting to HotelReservations

