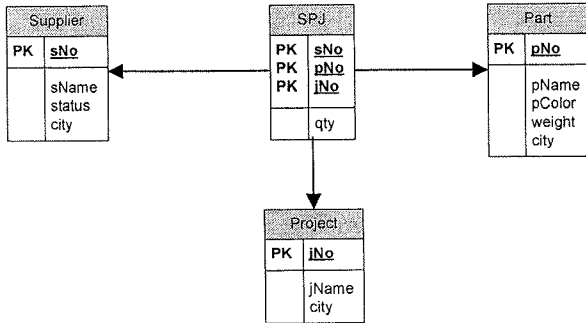


# Database Design, CSCI 340, Spring 2015

## SuppliersPartsProjects Database Sample Extension

Suppliers-Parts-Project  
Database



```
mysql> select * from S;
```

sNo	sName	status	city
S001	Smith	20	London
S002	Jones	10	Paris
S003	Blake	20	Paris
S004	Clark	20	London
S005	Adam	30	Athens
S006	Baker	40	London

6 rows in set (0.00 sec)

```
mysql> select * from P;
```

pNo	pName	pColor	weight	city
P01	Nut	Red	12	London
P02	Bolt	Green	17	Paris
P03	Screw	Blue	17	Rome
P04	Screw	Red	14	London
P05	Cam	Blue	12	Paris
P06	Cog	Red	19	London
P07	Cog	Black	15	Florence

7 rows in set (0.00 sec)

```
mysql> select * from J;
```

jNo	jName	city
J001	Sorter	Paris
J002	Display	Rome
J003	OCR	Athens
J004	Console	Athens
J005	RAID	London
J006	EDS	Oslo
J007	Tape	London

7 rows in set (0.00 sec)

```
mysql> select * from SPJ;
```

sNo	pNo	jNo	qty
S001	P01	J001	200
S001	P01	J004	700
S002	P03	J001	400
S002	P03	J002	200
S002	P03	J003	200
S002	P03	J004	500
S002	P03	J005	600
S002	P03	J006	400
S002	P03	J007	800
S003	P03	J001	200
S003	P05	J002	100
S004	P06	J007	300
S005	P01	J004	100
S005	P01	J005	300
S005	P02	J002	200
S005	P02	J004	100
S005	P03	J004	200
S005	P04	J004	400
S005	P05	J004	500
S005	P05	J005	500
S005	P05	J007	100
S005	P06	J002	200

22 rows in set (0.00 sec)