

CSCI 255 – Intro to Embedded Systems  
Homework #4  
Fall 2013

Due: **9/20/2013** at the beginning of class

**SHOW YOUR WORK**

- 1 Derived Boolean expressions using K-maps and draw the final logic circuit for each truth table:

a)

<b>w</b>	<b>x</b>	<b>y</b>	<b>z</b>
0	0	0	0
0	0	1	1
0	1	0	1
0	1	1	0
1	0	0	1
1	0	1	0
1	1	0	0
1	1	1	1

b)

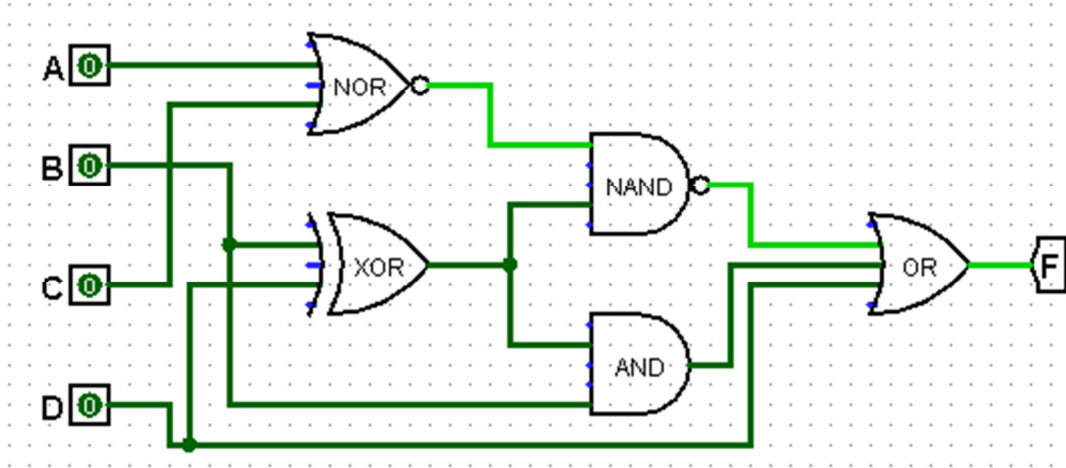
<b>v</b>	<b>w</b>	<b>x</b>	<b>y</b>	<b>z</b>
0	0	0	0	0
0	0	0	1	1
0	0	1	0	0
0	0	1	1	1
0	1	0	0	0
0	1	0	1	0
0	1	1	0	1
0	1	1	1	0
1	0	0	0	1
1	0	0	1	1
1	0	1	0	0
1	0	1	1	1
1	1	0	0	0
1	1	0	1	1
1	1	1	0	1
1	1	1	1	0

c)

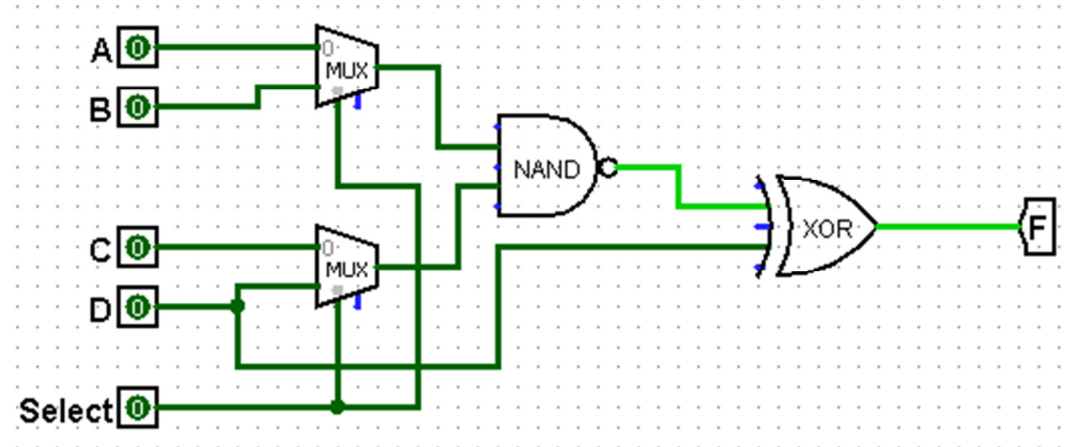
w	x	y	z
0	0	0	1
0	0	1	0
0	1	0	1
0	1	1	1
1	0	0	0
1	0	1	1
1	1	0	0
1	1	1	0

2 For the following circuits below, complete their truth table (All inputs/outputs)

a)



b)



c)

